



MODEL: PHOEBUS
(Advanced Version)

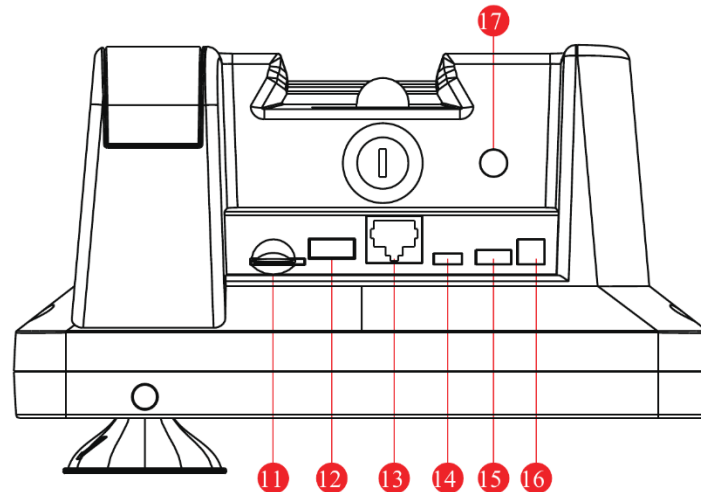
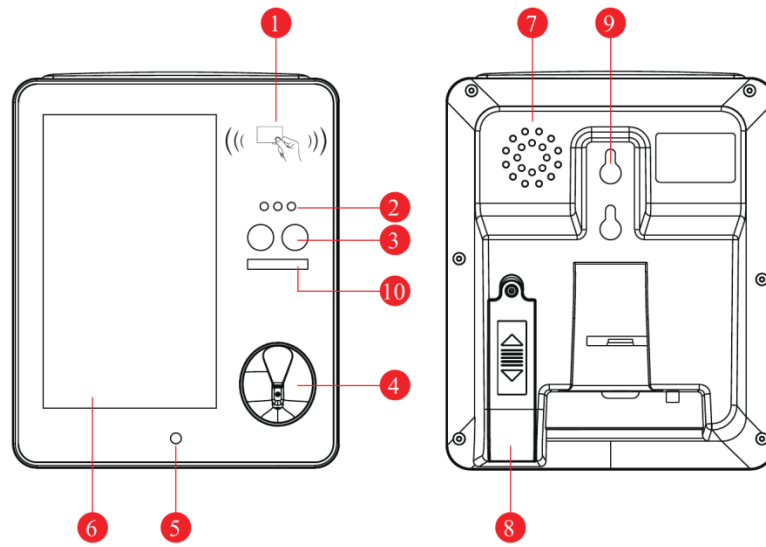
Instruction Manual



TABLE OF CONTENTS

STRUCTURE.....	3
INSTALLATION.....	4
INTRODUCTION.....	5
OPERATING INSTRUCTION.....	6
SETTINGS.....	7

STRUCTURE

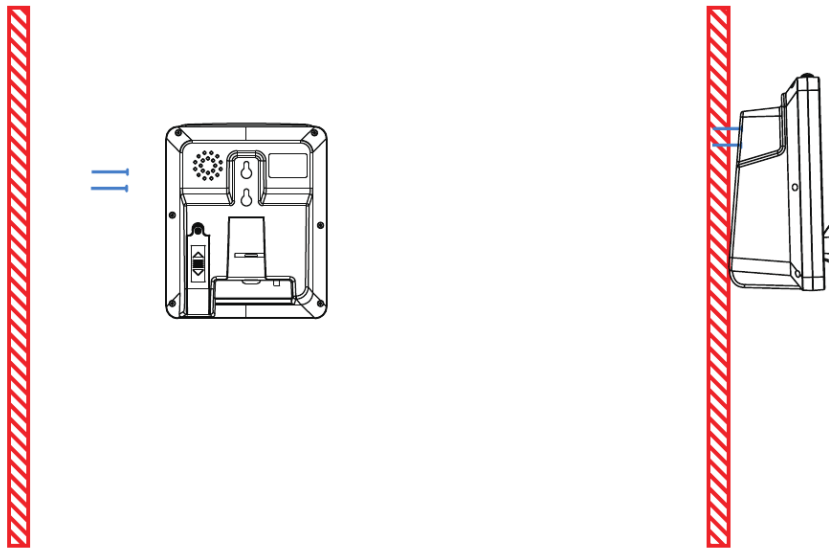


No.	Name	No.	Name
1	NFC Reader	10	Fill Light
2	IR LED	11	SIM Slot
3	Camera	12	USB Port
4	Air Inlet	13	Ethernet Port
5	Light Sensor	14	USB OTG Port
6	Display	15	RS232 Port
7	Speaker	16	Relay Output
8	Alcohol Testing Module	17	DC Port
9	Screw Hole		

INSTALLATION

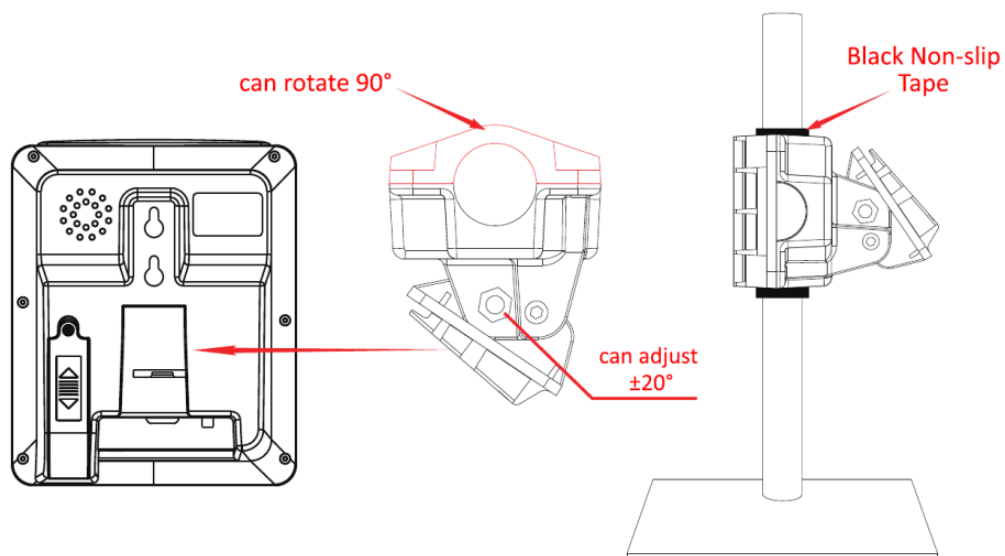
1. Place on the wall

Take out the screw and rubber from the package, drill two holes on the wall (depth: 50mm, distance between: 34mm). Put the rubber inside the hole, and put the screw inside the rubber, reserve about 10mm from the wall, fix it and hang the device.



2. Place on the cradle

Take out the cradle and related accessories from the package. Stick the black non-slip tape on the **cradle stand**, mount the **fixing cradle** on the **cradle stand**. The angle of the device can be adjusting by $\pm 20^\circ$ on the fixing cradle. When finished adjusting, fix it with the hex nuts.



INTRODUCTION

It is a state of the art instrument used to detect Ethyl Alcohol from a valid breath sample. It uses an electrochemical fuel cell to measure the concentration of alcohol from the sample of the expired breath from a human subject. If alcohol is present, a corresponding voltage is generated from the fuel cell, which is proportional to the alcohol content of the sample provided by a human subject. This voltage is then sent to the CPU and converted to a subject's BAC which is then displayed.

Please read the following before starting to use the device:

- Install the device under a covered environment.
- Do not use face recognition under a strong light.
- Do not expose the device under the sun for a long period of time.
- Do not use the device in locations subject to high humidity. Excessive humidity may cause equipment damage.
- Use the power adapter provided, connecting it to an improper power source may destroy the device and lead to fire.
- Keep the camera clean.

OPERATING INSTRUCTION

Pre-test Conditions

1. Operating temperature range is -10°C to 50°C. Use within this temperature range will limit condensation from a subject breath to insure an accurate reading from a breath sample.
2. It is recommended that the operator to observe a subject for about 20 minutes before administering the breath test to insure that nothing is consumed or expelled from the mouth of the subject. Following this procedure will eliminate reading from mouth alcohol.

Test Procedures

1. Connect the power adapter and turn on the device.
2. Once the system is started, the device will be ready to use and the camera is on.
3. At least ONE person has to be registered to the system.
4. Face the camera within the specified area and follow the instructions on the screen to complete the test.

SETTINGS

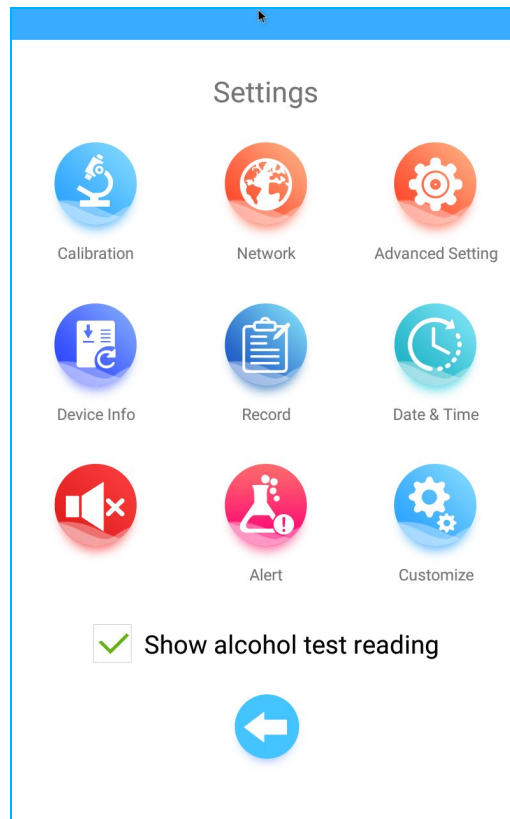
Plug an USB mouse to access the Setting menu.



Long press this icon on the bottom left side of the screen to access the control panel.



This value represents the number of face registered in the device.



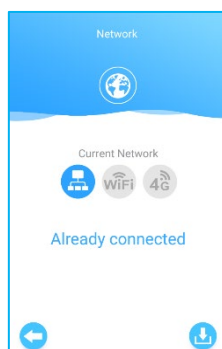
1. Calibration:

Refer to Alcohol Test Setting Instruction

2. Network

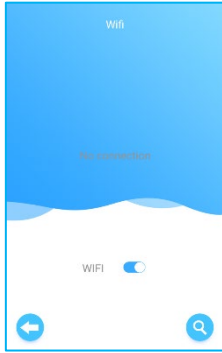
There are 3 ways to be connected: Ethernet, Wifi and 4G (additional module)

Click on it to activate or deactivate. Once it is activated, the icon will turn blue.




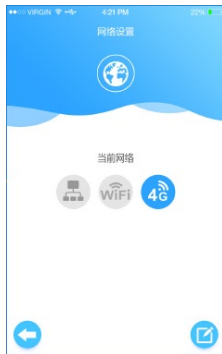
Ethernet

It is set to auto mode



Wifi

Press  then select your SSID



4G

Device turned off, insert the SIM which is inside device then turn it on.



3. Advanced Setting

Refer to Advanced setting Instruction

4. Device info

Device Information including software version number is listed

5. Record:

- i. 20,000 test records can be stored with the photo of the testees
- ii. Select the record and view the details of the test record.
- iii. Press  to search test records and press  again to confirm.

6. Alert

When the test is failed, the device will give alert sound and locked for a period by setting "Sound and Lock".

7. Customize

Set Boot Animation and background picture for the device, follow the instruction on the screen to upload files.

8. Show alcohol test reading: whether the reading of exact test results shows instead of "Pass" and "Failed". The result will be more accurate by using a straw for the test.